

# Lodge Chair



Andorra  
Pewter



Saddle  
Brown  
Leather

Leather not available in Canada

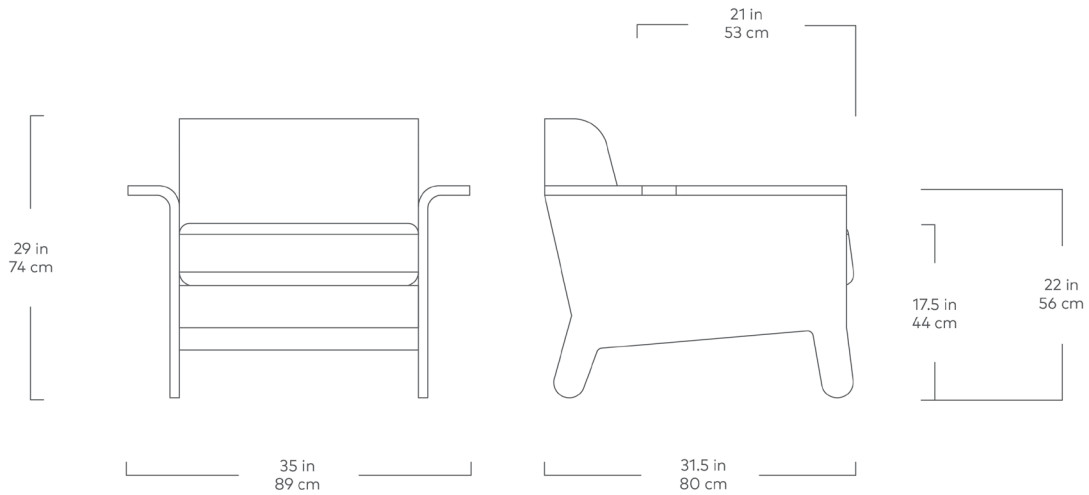
The Lodge Chair is a contemporary club chair with playful, bent ply arms and a sculptural profile. This unique design is available with fabric or top-grain leather upholstery to contrast a walnut-finished exterior frame. The inner frame is constructed with kiln-dried 100% FSC®-Certified hardwood.

Design Trade Professionals: We aim to keep our designs in stock and ready to ship quickly for projects on a tight timeline. Designs may be customized with COM and alternate finishes (minimum quantities may apply).





# Lodge Chair



- Available with fabric or top-grain leather upholstery.
- Side panels are CNC precision-cut, formed plywood panels finished in real Walnut wood veneer.
- Inner frame is kiln-dried, 100% FSC®-Certified hardwood (FSC® 092551).
- Manufactured to meet California TB117-2013 fire safety standards without the use of flame retardant additives in the upholstery foam.
- Wood is a natural material, with variations in grain pattern and colour that make each design unique.





PROFESSIONALS

**rypen**  
STUDIO

Register for Our Exclusive  
Project Builder + Ordering Platform

